



## Power Take-Off Agitators

Powerful Liquid Manure  
Agitators

GEA Farm Equipment | Houle

engineering for a better world

GEA Farm Technologies

## PTO Agitators



GEA Farm Technologies PTO Agitators are designed to offer high agitation performance in all types of manure storage. Depending on whether you have a lagoon, a concrete pit or a raceway pit, we have the agitator to meet your quality and efficiency standards.

GEA Farm Technologies cares about the quality of the environment and continuously works to implement effective environmental management systems applicable in all facets of the business.

## Lagoon and Articulated Agitators

Discover the benefits and key features that make the use of our agitators the perfect way to efficiently agitate the manure stored in lagoons and concrete pits.

### Benefits

- Powerful agitation resulting in faster homogenization;
- Immersed screw reducing spatters and odors.



### Key Features

- 24" (610 mm) diameter agitation screw with bearing housing protected by our 3 seal system to guard against contamination;
- Fixed or articulated agitation screw;
- 24" (610 mm) or 32" (811 mm) agitation screw pitch, for an agitation of up to 33 600 US gpm (127 290 lpm);
- Heavy-duty driveline and #55 PTO – 540 RPM only;
- Portable hydraulic controls;
- Easy access for maintenance of the driveline joint.



## Lagoon Agitator

The different models of the Lagoon Agitator will provide you the necessary far-reaching access as well as the right trailer to agitate the content of your lagoon efficiently and safely.

### Typical Application

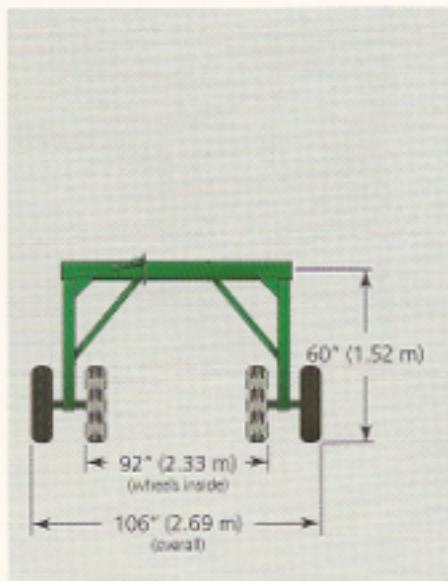
To agitate manure stored in a lagoon.

### Key Features

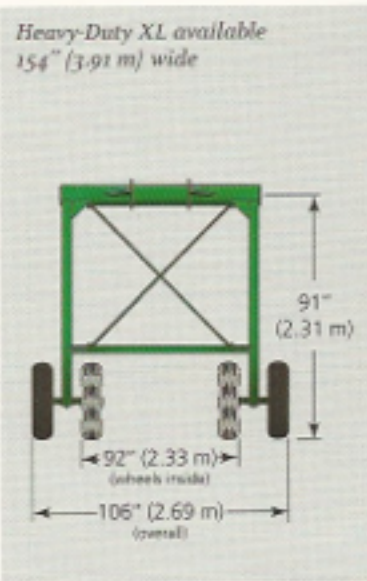
- Agitation achieved by the pushing motion of the screw;
- Fixed or articulated agitation screw;
- 24" (610 mm) diameter agitation screw;
- 24" (610 mm) or 32" (811 mm) agitation screw pitch;
- Agitation of up to 33 600 US gpm (127 290 lpm);
- Heavy-duty driveline and #55 PTO – 540 RPM only;
- 32', 42', 52', 62' and 72' models available.



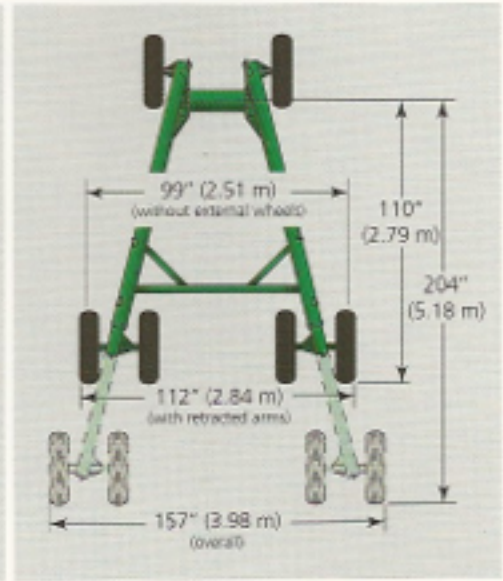
### Standard Undercarriage

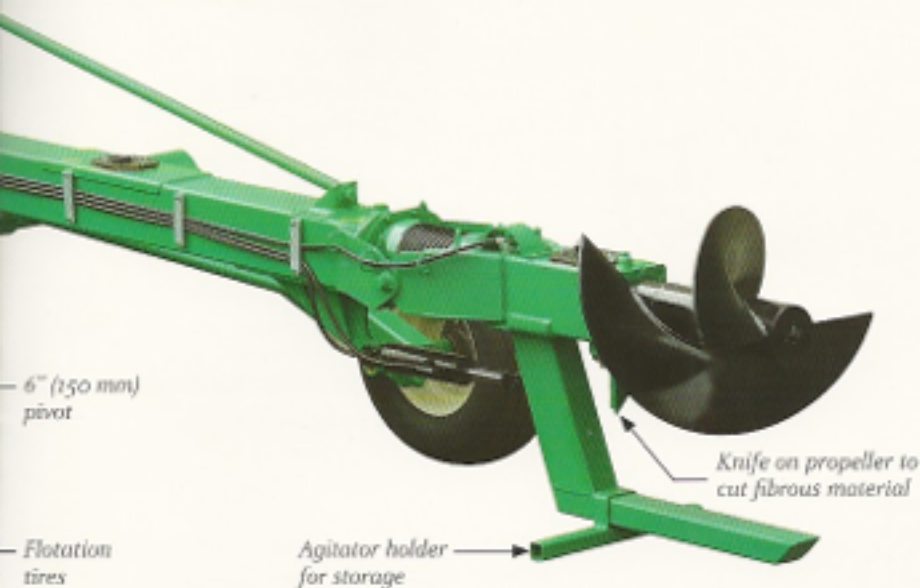


### Heavy-Duty Undercarriage



### Multipurpose Undercarriage For lagoons and concrete pits.





## Articulated Agitation Screw

To create more turbulence and reduce agitation time.

The 20° upward articulation allows you to break the crust from underneath. The 20° downward articulation allows you to agitate sediments and moves crust pieces towards the agitation screw.

Available only on the 32', 42' and 52' models.



## Undercarriage Compatibility

Agitator Lengths Available	Undercarriage Models			
	Standard	Heavy-Duty	Heavy-Duty XL	Multi-purpose
<b>32' (9.8 m)</b> 14' (4.3 m) lagoon depth Slope of 2 to 1	Included	Option	-	Option
<b>42' (12.8 m)</b> 18' (5.5 m) lagoon depth Slope of 2 to 1	Included	Option	-	Option
<b>52' (15.9 m)</b> 22' (6.7 m) lagoon depth Slope of 2 to 1	-	Included	Option	Option
<b>62' (18.9 m)</b> 22' (6.1 m) lagoon depth Slope of 3 to 1	-	-	Included	-
<b>72' (22 m)</b> 22' (6.7 m) lagoon depth Slope of 3 to 1	-	-	Included	-

- : Not available

## Safety Device

To lock the hydraulic cylinders when traveling.



## Articulated Agitator

The far-reaching articulated agitator with its strong 3-point hitch agitates a concrete pit safely and efficiently.

### Typical Application

To agitate manure stored in a concrete pit up to 16' (4.8 m) deep for dairy manure and up to 12' (4 m) deep for hog slurry.

### Key Features

- Agitation achieved by the pushing motion of the screw;
- Fixed or articulated agitation screw;
- 24" (610 mm) diameter agitation screw;
- 24" (610 mm) or 32" (811 mm) agitation screw pitch;
- Agitation of up to 33 600 US gpm (127 290 lpm);
- Heavy-duty driveline and #55 PTO – 540 RPM only;
- Length of the agitator is 27' (8.2 m).

### Options

- 60° sideways articulation, to agitate a wider surface area;



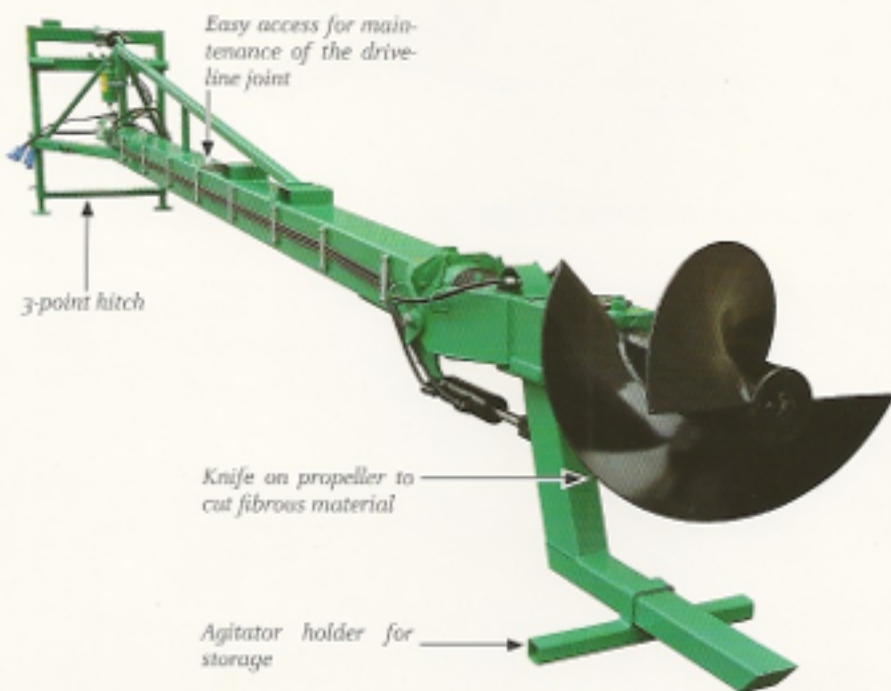
- Wheels and tow bar kit.



### Articulated Agitation Screw

To create more turbulence and reduce agitation time.

The 20° upward articulation allows you to break the crust from underneath. The 20° downward articulation allows you to agitate sediments and moves crust pieces towards the agitation screw.



Articulated Agitator with Articulated Agitation Screw

## Raceway Agitator

Articulated agitator with a 3-point hitch providing all the power you need to agitate and make the manure flow through a raceway pit under slatted floor.

### Typical Application

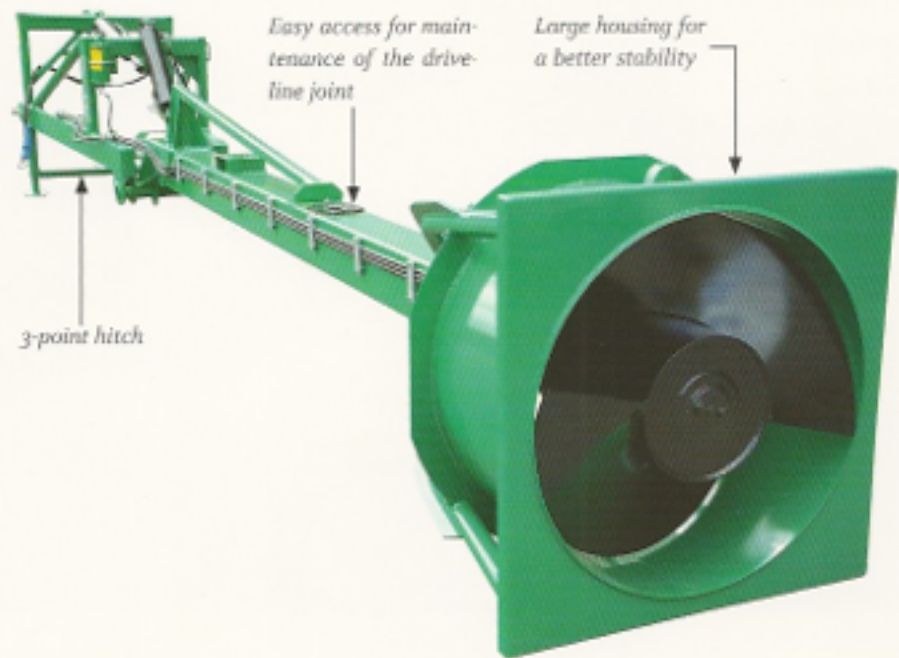
To agitate and make manure flow through a raceway pit.

### Key Features

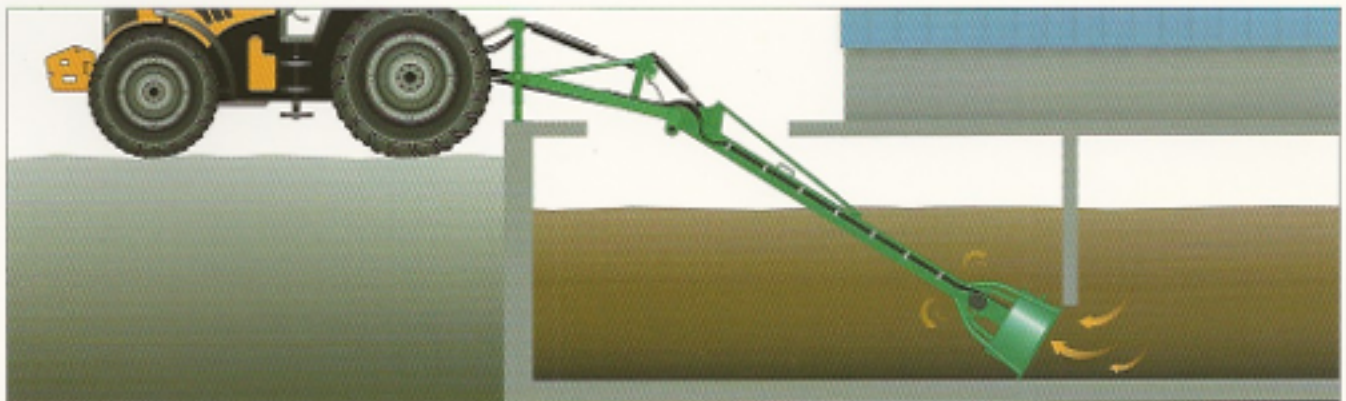
- Agitation is achieved by the pulling motion of the screw;
- 32" (812 mm) diameter agitation screw;
- Agitation of up to 40 000 US gpm (151 400 lpm);
- Heavy-duty driveline and #55 PTO – 540 RPM only;
- Length of the agitator is 27' (8.2 m) for a pit up to 10' (3 m) deep.

### Options

- Wheels and tow bar kit.



### Typical Installation





*We live our values.*

Excellence • Passion • Integrity • Responsibility • GEA-versity

GEA Group is a global engineering company with multi-billion euro sales and operations in more than 50 countries. Founded in 1881, the company is one of the largest providers of innovative equipment and process technology. GEA Group is listed in the STOXX® Europe 600 index.

### **GEA Farm Technologies**

GEA Farm Technologies Canada Inc.

4591, boul. St-Joseph, Drummondville, Qc, Canada J2A 0C6  
Tel. +1 819 477 7444, Fax +1 819 477 5565  
[www.gea.com](http://www.gea.com) / [www.geahoule.com](http://www.geahoule.com)

GEA Farm Technologies Inc. (Houle)

1880 Country Farm Drive, Naperville, IL 60563 USA  
Tel. +1 800 563 4685, Fax +1 819 477 0486  
[www.gea.com](http://www.gea.com) / [www.gea-farmtechnologies.com/houle/en](http://www.gea-farmtechnologies.com/houle/en)